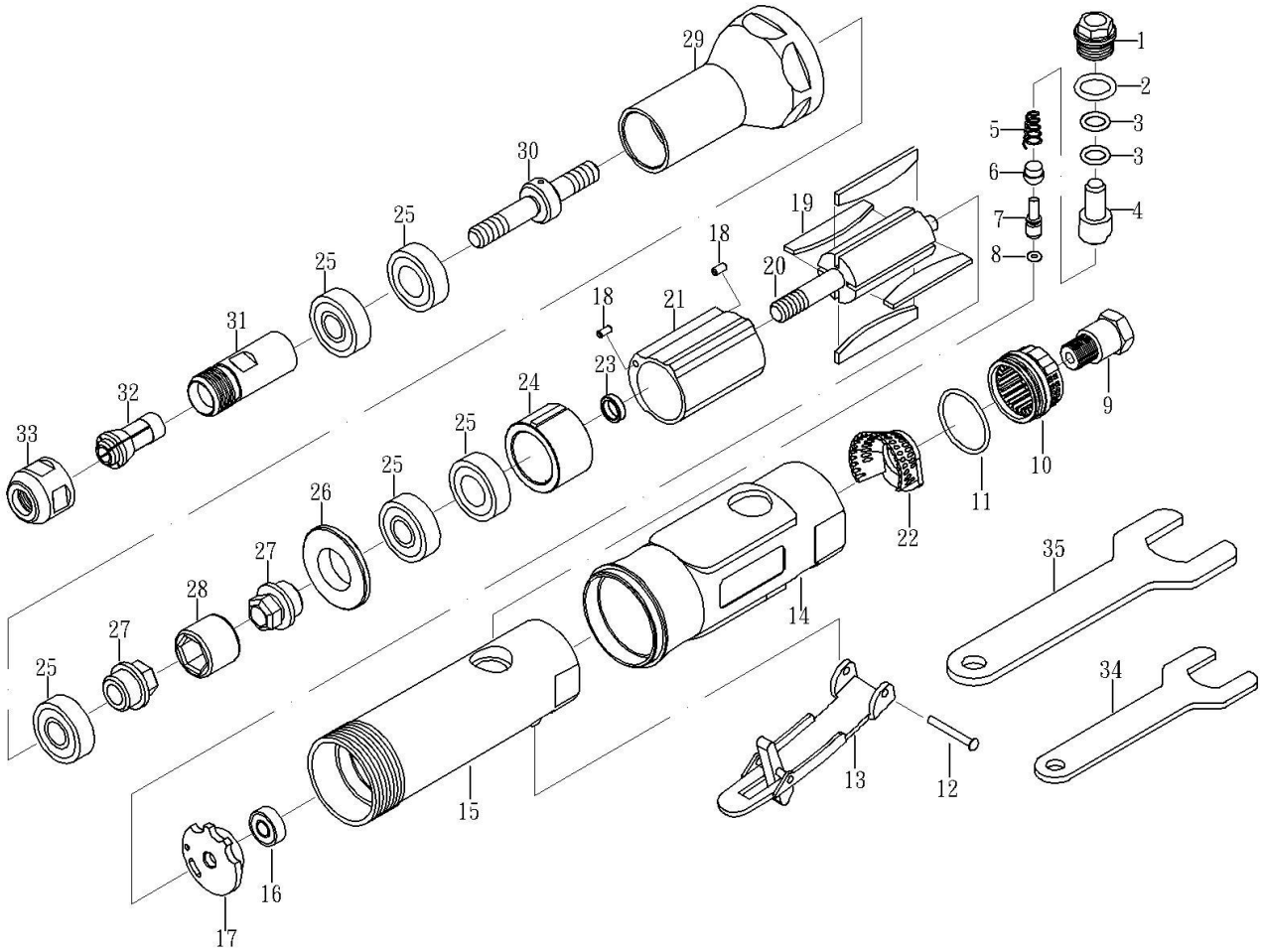


OS-200AL **GAV** HAVALI KALIPÇI TAŞLAMA



| NO. | PARÇA ADI | ADET | NO. | PARÇA ADI | ADET |
|-----|--------------------|------|-----|---------------------|------|
| 01 | SCREW | 1 | 19 | ROTOR BLADE | 4 |
| 02 | O-RING | 1 | 20 | ROTOR | 1 |
| 03 | O-RING | 2 | 21 | CYLINDER | 1 |
| 04 | AIR REGULATOR | 1 | 22 | CONE MUFFLER | 1 |
| 05 | SPRING | 1 | 23 | BEARING SPACER | 1 |
| 06 | VALVE STEM BUSHING | 1 | 24 | FRONT PLATE | 1 |
| 07 | VALVE STEM | 1 | 25 | BEARING(608ZZ) | 5 |
| 08 | O-RING | 1 | 26 | WASHER | 1 |
| 09 | AIR INLET | 1 | 27 | COUPLING NUT | 2 |
| 10 | EXHAUST SLEEVE | 1 | 28 | COUPLING | 1 |
| 11 | O-RING | 1 | 29 | SPINDLE HOUSING | 1 |
| 12 | SPRING PIN | 1 | 30 | SPINDLE (SHAFT) | 1 |
| 13 | LEVER | 1 | 31 | SPINDLE | 1 |
| 14 | PROTECTING RUBBER | 1 | 32 | COLLET | 1 |
| 15 | HOUSING | 1 | 33 | COLLET NUT | 1 |
| 16 | BEARING | 1 | 34 | STOP SPANNER (14MM) | 1 |
| 17 | REAR PLATE | 1 | 35 | STOP SPANNER (19MM) | 1 |
| 18 | PIN | 2 | | | |

Bi Dünya Havalı

Havalı El Aletleri Satış & Teknik Servis
Tel: 0536 451 11 88